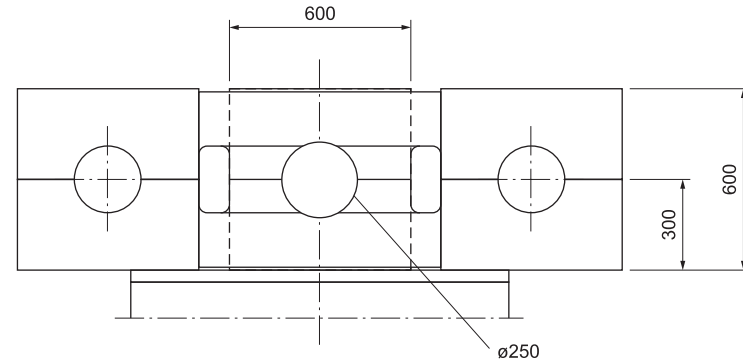


Cable testing machine «ELS 1043»

Side elevation A - A

M 1 : 25



Plan elevation M 1 : 50

